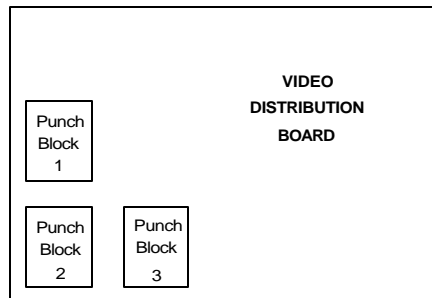
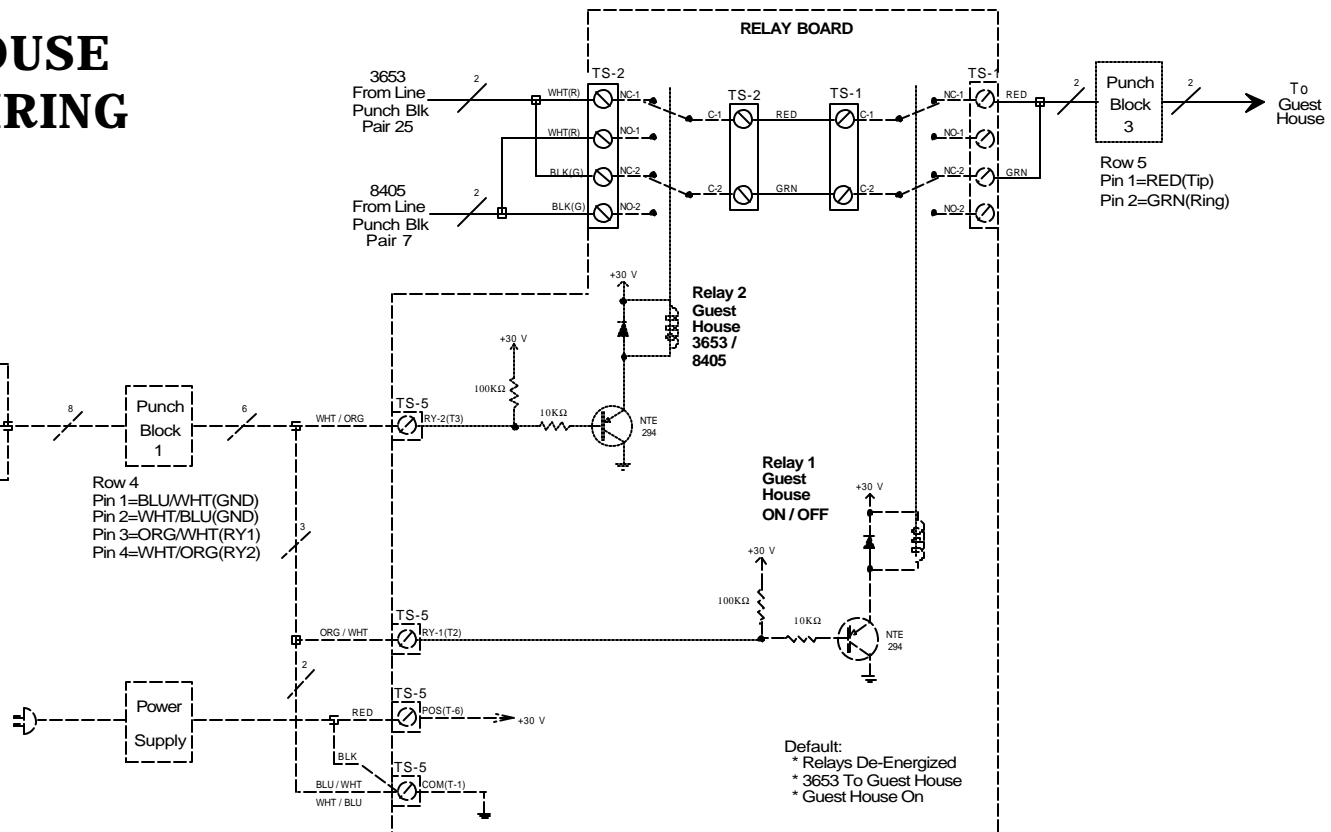
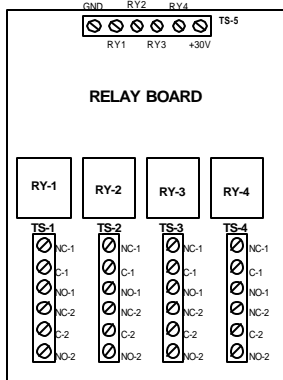
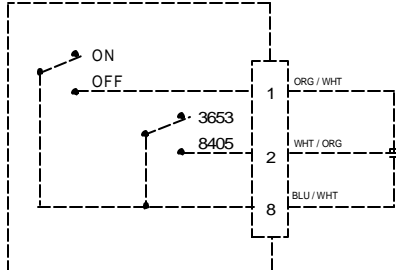


GUEST HOUSE PHONE WIRING

GUEST HOUSE PHONE CONTROL



GUEST HOUSE PHONE WIRING	
Designer: JOHN SCHMITZ	Date: 15 September 96
<i>John R. Schmitz</i>	Version: 02.00.03
This circuit allows the main house to control the guest house phone. The guest house phone can be turned ON and OFF as well as switched between the two incoming lines to the property.	