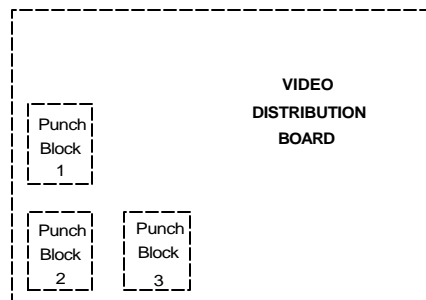
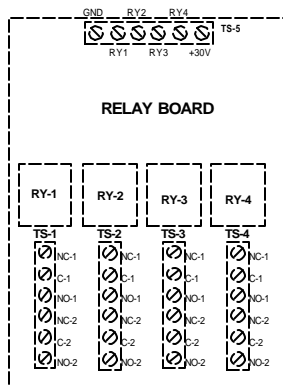
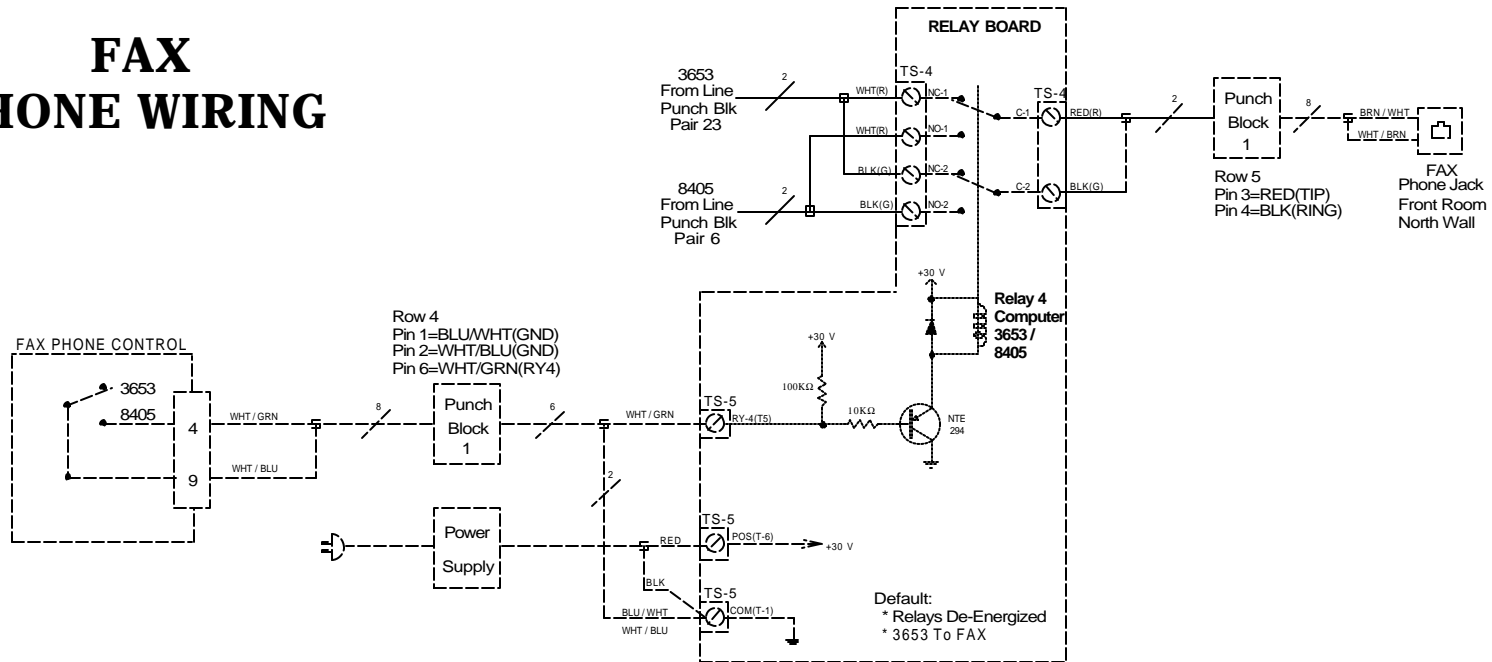


FAX PHONE WIRING



FAX PHONE WIRING

Designer: JOHN SCHMITZ Date: 21 September 96

John R. Schmitz Version: 01.00.00

This circuit allows the FAX machine to be swithed between the 3653 (default) phone line and the 8405 phone line